

C 中式爐頭 CHINESE STOVE



WR Series / Item# _____



(Shown: Model WR-600)

Options:

- AGA certified, NSF Sanitation Classified, MEA listed.
- All models may have 13", 14", 16", 18", 20", 22" diameter chamber.
- Three burner types are available: ring burner, circular jet burner, and duck jet burner.
- Four waste drain styles are available: surface, traditional, drawer, and channel style.
- Custom models are available to meet your needs.
- Natural or propane gas.

Standard Features:

- Heavy-duty construction ensures durability.
- Easy access manually controlled swing faucet.
- Water-cooled top help control stove top temperature.
- Stainless steel front, pipe rack, and splash.
- Standard models available with up to ten chambers.
- Front gas 1½" manifold to each burner.

永發中式爐頭的特點

- 構造堅固, 安全耐用, 保養方便.
- 水冷式爐台及水管系統可控制 爐台溫度.
- 有壹至十個爐眼的標準模型.
- 爐眼直徑: 13", 14", 16", 18", 20", 22"
- 三種類型的火炳: 中國爐炳, 快速噴火炳, 鴨嘴火炳.
- 四種類型的排水方式供選擇:
爐面排水, 爐外排水, 抽屜式排水, 流水槽排水.
- 煤氣類型: 天然煤氣, 罐裝煤氣.
- 不鏽鋼爐面, 爐眼數量及爐頭長度均可按客戶要求定制.
- 經USF Sanitation, AGA, MEA標準通過.

Model#	No. of Burners	W X H	Length	BTU / Hr.	Ship. Weight.(lbs)
WR-100	1	45"X33"	30"	100,000	400
WR-200	2	45"X33"	54"	200,000	800
WR-300	3	45"X33"	78"	300,000	1200
WR-400	4	45"X33"	110"	400,000	1450
WR-500	5	45"X33"	141"	500,000	1800
WR-600	6	45"X33"	165"	600,000	2100
WR-700	7	45"X33"	181"	700,000	2500
WR-800	8	45"X33"	204"	800,000	3100
WR-900	9	45"X33"	235"	900,000	3600
WR-1000	10	45"X33"	244"	1000,000	4050

The manufacturer reserves the rights to modify materials and specifications without notice.

42-38 Northern Blvd., L.I.C., NY 11101
Tel: 718-433-1999 Fax: 718-433-0700

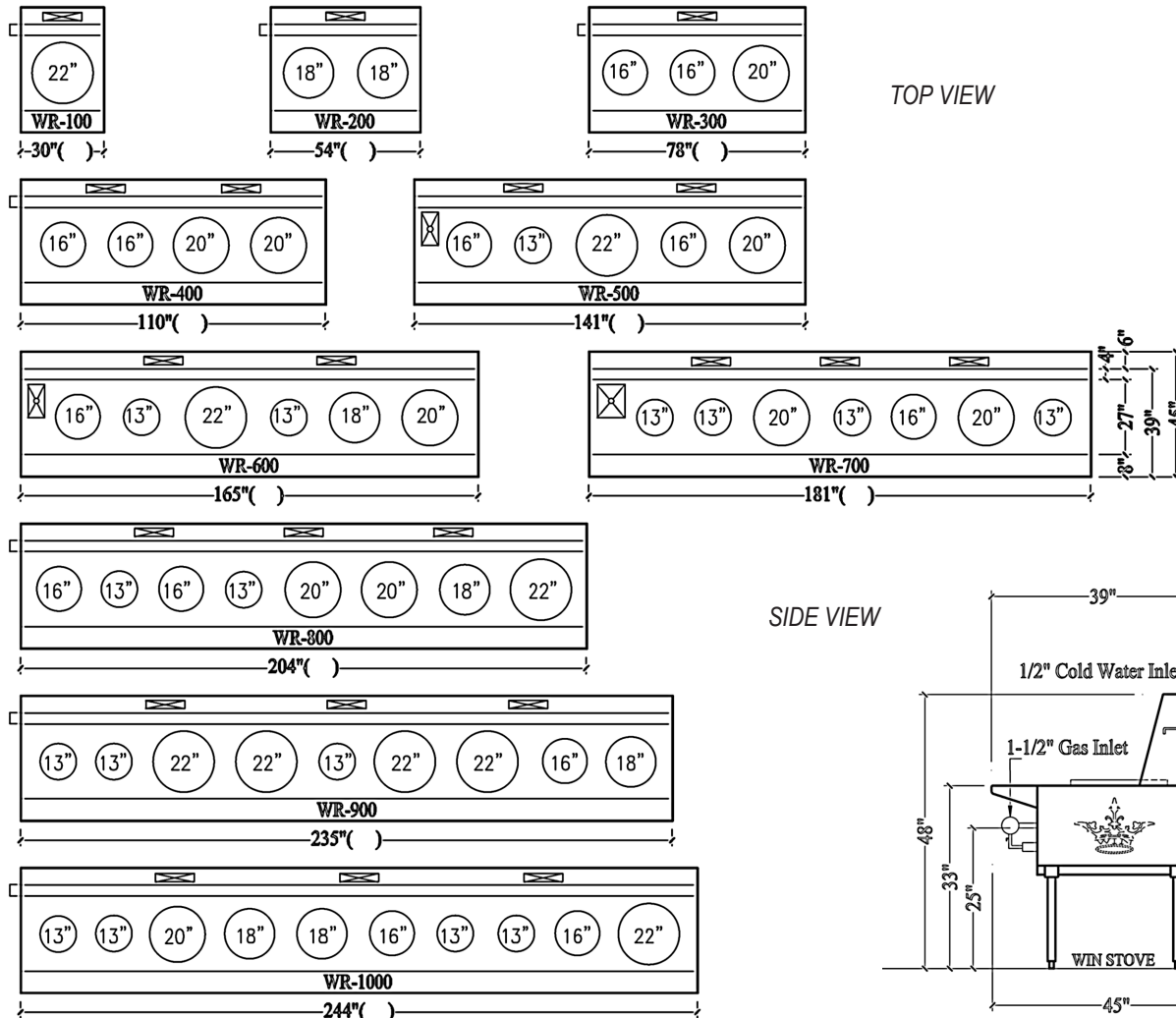
318 Lafayette St., New York, NY 10012
Tel: 212-431-1998 Fax: 212-966-3333

info@winsupply.com
www.winsupply.com

C 中式爐頭 CHINESE STOVE

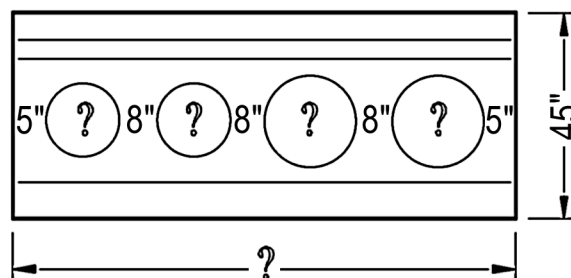


WR Series / Item# _____



How to select and design length of a chinese stove?

1. Decide number of chambers.
2. Decide each chamber diameter.
(chamber Dia.=Wok Dia.-2")
3. Distance between Chambers is 8", each ends of the stove is 5".
4. Then sum up all lengths.



The manufacturer reserves the rights to modify materials and specifications without notice.

C 中式爐頭 CHINESE STOVE



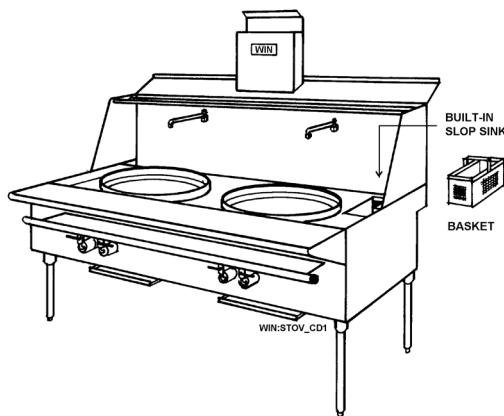
WR Series / Item# _____



爐外排水(外放廢水星及網)

Traditional style

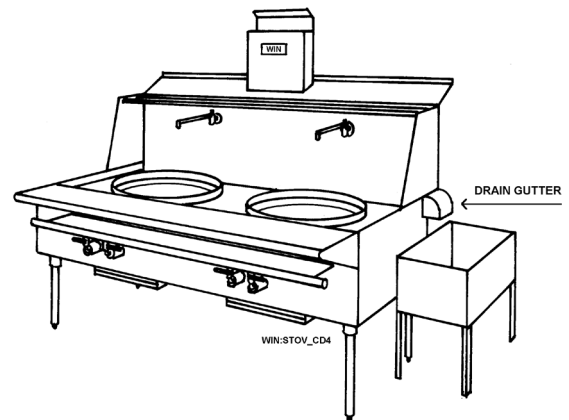
Water drains into slop sink from gutter



爐面排水(外放廢水星及網)

Surface style

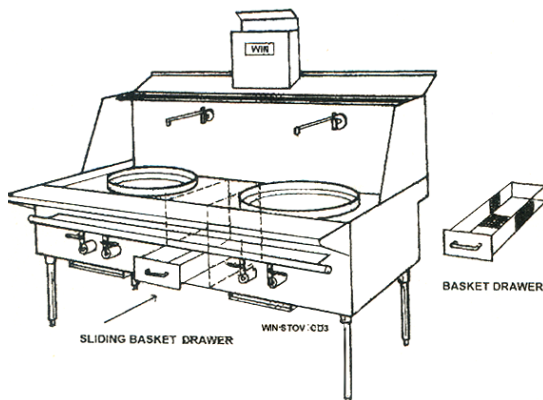
Built - in slop sink with basket at top plate
(Most popular style easy cleaning & handling.)



抽屜式排水(外放廢水星及網)

Drawer Style

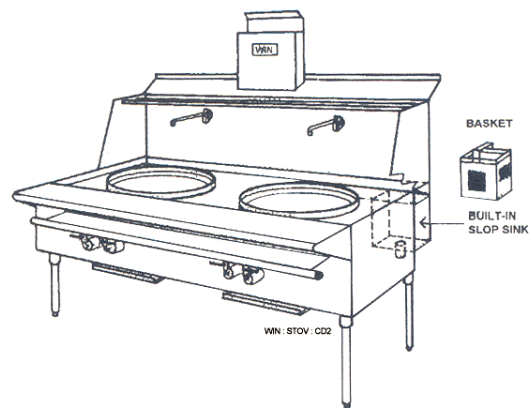
Built in slop sink with basket drawer



流水槽排水(外放廢水星及網)

Channel Style

Water drains into slop sink from drain channel



The manufacturer reserves the rights to modify materials and specifications without notice.

C 中式爐頭 CHINESE STOVE



WR Series / Item# _____



中國爐炳



Regular Burner

Model	BTU	DIAM.
A-303NS	100,000	12"

鴨嘴噴火炳



Duck Burner

Model	BTU	DIAM.	JETS
A-118	170,000	7"	18"

快速噴火炳



Jet Burner

Model	BTU	DIAM.	JETS
A-124	140,000	9"	24"

垃圾網

Baskets

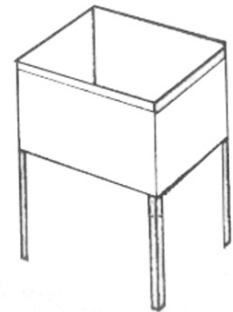
Model	Size
SLB-10	10"x7"x6"
SLB-120	13"x8"x6"



廢水星

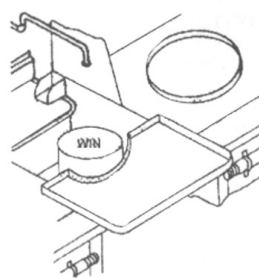
Slop Sink

Model	Size	Water Pipe
SLS-10	14"x14"x24"	1-1/2"
SLS-120	20"x14"x24"	1-1/2"



爐冠

Chamber Reducer



單層五味盤

Spice Tray



雙層五味盤

Double Spice Shelf

The manufacturer reserves the rights to modify materials and specifications without notice.