

# M 永發蒙古烤肉爐 MONGOLIAN STOVE



**WBQ Series / Item#** \_\_\_\_\_



(Shown: Model WBQ-3)

## Standard Features:

- Attractive & heavy-duty barbecue for exhibition cooking.
- Available with 36", 42", 48", 60" and 72" diameter, polished 3/4" griddle plate.
- Stainless steel gutter surrounds griddle plate for easy cleaning.
- "L"- Shaped handle for easy temperature control.
- Sturdy, S/S adjustable legs.
- Heavy-duty combustion chamber, equipped with 120,000 to 300,000 BTU duck burner.
- Regular model; Equipped with safety valves, acceptable for use in all states.
- Optional opening at center (60" above)

## 永發蒙古肉爐的特點

- 磨光鐵鍋爐面, 有 36", 42", 48", 60", 72" 的直徑, 不鏽鋼腳可調整高度
- 不鏽鋼渠環爐面, 容易清洗, 型把手容易控制溫度。
- 經UL Sanitation 批准, 又安全制, 符合各地方政府的有關要求。

	Circular			Ship Wt.	Recommend	Minimum	Exhaust	Make-up
Model#	Griddle Dia	Height	BTU/hr.	LBS	Hood Size	Hood Size	Fan Model	Air Fan Model
WBQ-36C	36"	36"	-	366	60"x60" *	48"x48" **	7A588	3C4050
WBQ-42C	42"	36"	-	487	60"x60" *	54"x54" **	7A588	3C405
WBQ-48C	48"	36"	-	623	60"x60" *	60"x60" *	7A588	3C405
WBQ-60C	60"	36"	-	1266	72"x72" *	72"x72" *	7A588	3C405
WBQ-60B	60"	36"	-	1266	72"x72" *	72"x72" *	7A588	3C405
WBQ-66C	66"	36"	-	1438	84"x84" *	84"x84" *	7A588	3C405
WBQ-66B	68"	36"	-	1438	84"x84" *	84"x84" *	7A588	3C405
WBQ-72B	72"	36"	-	1730	84"x84" *	84"x84" *	7A588	3C405

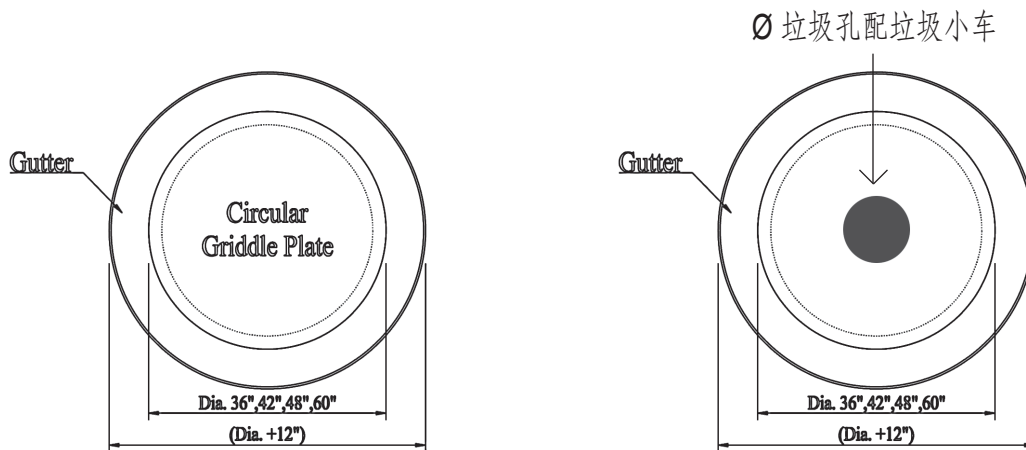
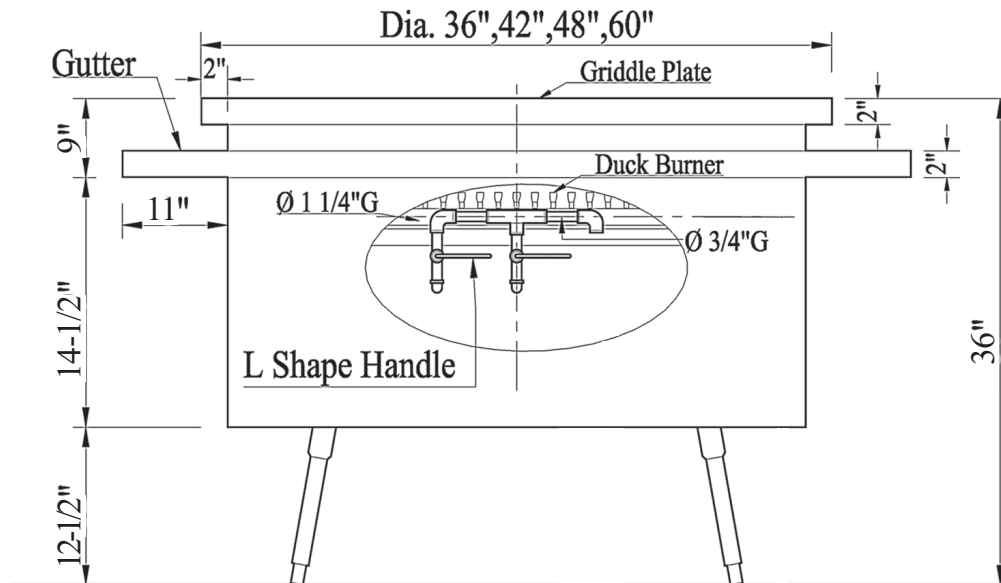
\* Exhaust With Make-up Air      \*\* Exhaust Only

The manufacturer reserves the rights to modify materials and specifications without notice.

# M 永發蒙古烤肉爐 MONGOLIAN STOVE



WBQ Series / Item# \_\_\_\_\_



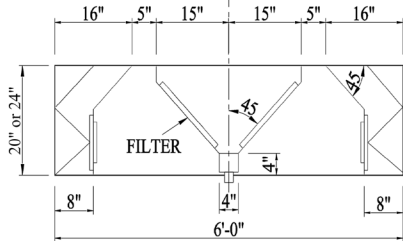
Center Opening Option for 60" and above

The manufacturer reserves the rights to modify materials and specifications without notice.

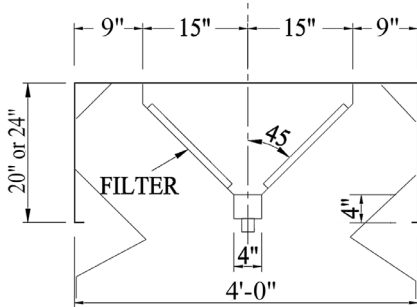
# M 永發蒙古烤肉爐 MONGOLIAN STOVE



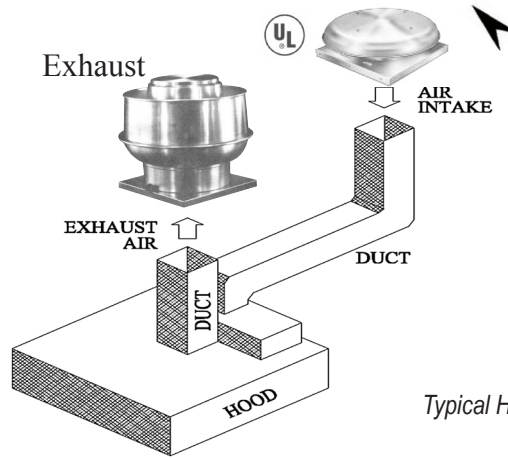
## WBQ Series / Item# \_\_\_\_\_



Typical Section of Hood  
(Exhaust with Make-up)

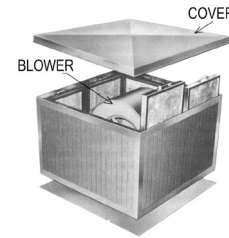


Typical Section of Hood  
(Exhaust Only)



Typical Hood Make-up Air System

Another Choice:

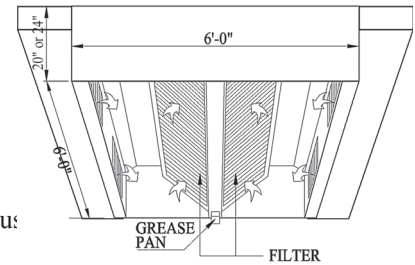


Belt-Drive Filtered

## WHB Series

NSF and Code 96 Approved

- No.18 gauge S/S welded.
- All ducts are no.16 black iron.
- All welded construction insulated as required.
- All seams and penetrations are continuous welded as liquid tight.



### Belt-Drive Exhaust Fan With Motor And Drive

Wheel				Sones@	CFM Air Delivery at RPM Shown					Motors 115/230V, 1-Ph	Curb
Dia.	Fan	Fan	Max.	0.125"	0.00"	0.25"	0.50"	0.75"	1.00"	Open Dripproof	Size
(In.)	HP	RPM	BHP	SP	SP	SP	SP	SP	SP	Stock No.	(In.)
10 1/2	1/4	1820	0.24	14.3	1180	1090	980	855	680	7A588	19x19
12 1/4	1/3	1570	0.32	12.7	1530	1420	1290	1140	960	7A594	22x22

### Direct-Drive Make-up Air Fan

Wheel					CFM @ Static Pressure Shown					Sones@	Curb
Dia.	Fan	Fan		Amps	0.00"	0.125"	0.250"	0.375"	0.125"	Open Dripproof	Size
(In.)	HP	RPM	Volts	115V	SP	SP	SP	SP	SP	Stock No.	(In.)
14	1/4	1700	115/230V	3.0	1841	1720	1577	1398	13.9	3C405	26x26

### Belt-Drive Filtered Make-up Air Fan

Wheel				CFM @ Static Pressure Shown			Single Speed	Single Speed	2-Speed/1725-1140	Curb
Dia.	Fan	Fan	0.125"	0.250"	0.375"	0.500"	115/230V, 1-Ph	208/220/440V, 3-Ph	115V, 1-Ph	Size
(In.)	HP	RPM	SP	SP	SP	SP	Stock No.	Stock No.	Stock No.	(In.)
12 1/2	3/4	605	3445	3060	2655	1895	7C168	7C370	7C223	27.5x27.5

The manufacturer reserves the rights to modify materials and specifications without notice.