

S 永發湯爐 SOUP STOVE



WS Series / Item# _____



WS-20B



WS-10



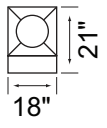
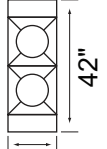
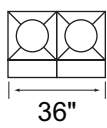
WS-20A

Features :

- Two burner valves for easy temperature control.
- Stainless steel manifold shield for easy cleaning.
- Overall height 17" is available to place stock pot. Top grate is completely removable for easy cleaning.
- Included NSF Drip Tray.

永發湯爐特點：

- 堅固耐用, 容易清洗, 保持清潔.
- 設有可調整腳架.
- 可迅速煮湯40加侖.
- 上部有活動鐵框.
- 可放置永發爐頭壹側使用方便.

Model #	LxWxH	Manifold size	BTU / HR.		Ship. Wt.
 WS-10	18"x21"x18"	3/4" L.P.S	32,000 L.P.	35,000 NAT.	78
 WS-20A	18"x42"x18"	3/4" L.P.S	64,000 L.P.	70,000 NAT.	143
 WS-20B	18"x42"x18"	3/4" L.P.S	64,000 L.P.	70,000 NAT.	136

The manufacturer reserves the rights to modify materials and specifications without notice.

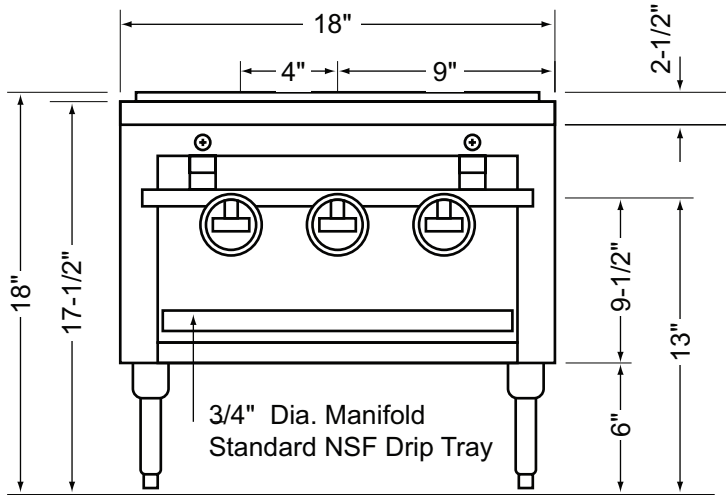
永發湯爐 SOUP STOVE



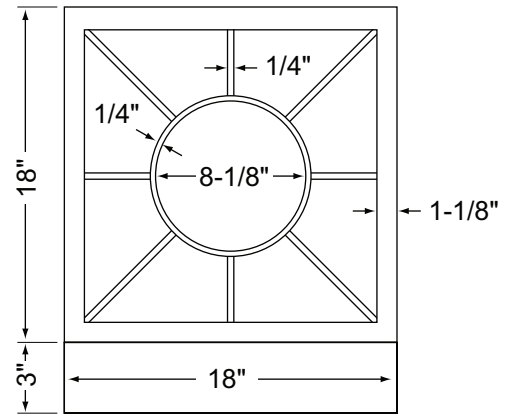
WS Series / Item# _____



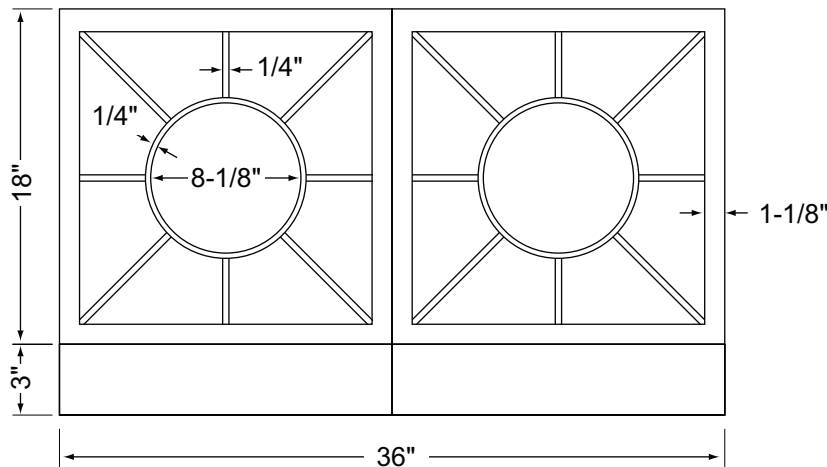
WS-10 FRONT VIEW



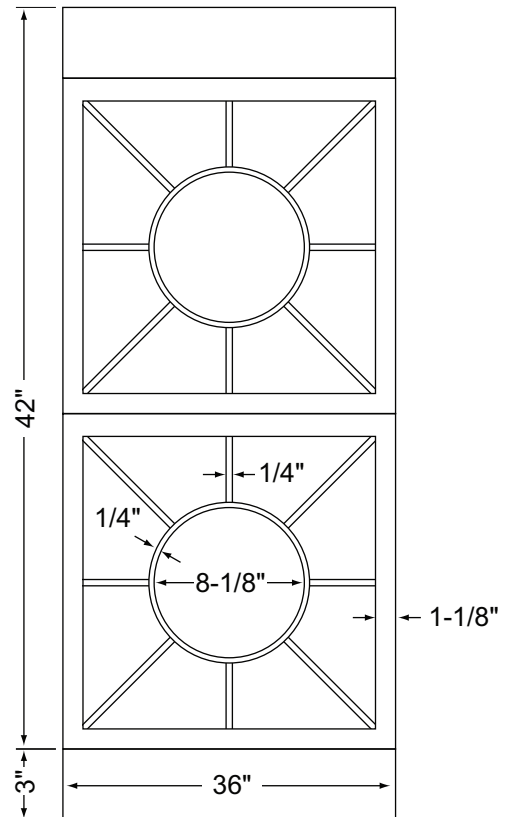
WS-10 TOP VIEW



WS-20A TOP VIEW



WS-20B TOP VIEW



The manufacturer reserves the rights to modify materials and specifications without notice.