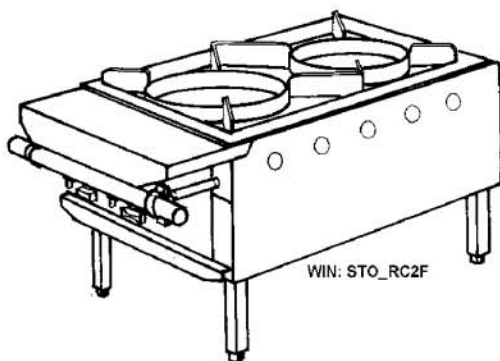




**WIN DEPOT, LLC.**

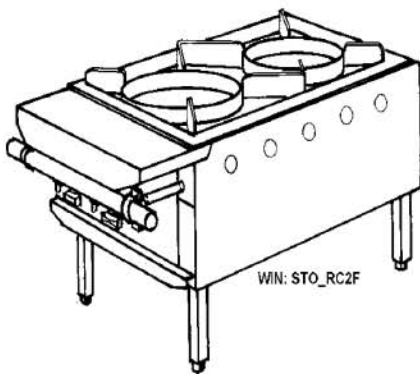
**Rice Stove Installation Guide**



318 Lafayette Street, New York, NY 10012  
Tel: (212)-431-1998 • Fax: (212)-966-3333

42-38 Northern Blvd., Long Island City., NY 11101  
Tel: (718)-433-1999 • Fax: (718)-433-0700

[info@winsupply.com](mailto:info@winsupply.com)  
[www.winsupply.com](http://www.winsupply.com)



## IMPORTANT FOR FUTURE REFERENCE

Please complete this information and retain this manual for the life of the equipment.

Model #: \_\_\_\_\_

Serial #: \_\_\_\_\_

Date Purchased: \_\_\_\_\_

## WC-SERIES RICE STOVE

Note: In some prominent locations, instruction obtained from the local gas supplier must be posted indicating procedures to be followed in the event that the user smells gas.

## FOR YOUR SAFETY

DO NOT STORE OR USE GASOLINE OR OTHER FLAMMABLE VAPORS OR LIQUIDS IN THE VICINITY OF THIS OR ANY OTHER APPLIANCE.

## UNIT INSTALLATION

Installation of this unit must only be undertaken by qualified service personnel. Improper installation of the unit may result in damage to the unit and/or injury to the operator of the unit.

## WARNING:

Improper installation, adjustment, alteration, service or maintenance can cause property damage, injury or death. Read the installation, operating and maintenance instructions thoroughly before installing or servicing this equipment.

MINIMUM CLEARANCE FROM COMBUSTIBLE AND NON-COMBUSTIBLE CONSTRUCTION MUST BE 6 INCHES FROM SIDES AND 6 INCHES FROM REAR.

## LIMITED WARRANTY

Win Depot, LLC. warrants to the original purchaser of its gas fired product to be free from defects in materials and workmanship for which it is responsible. The Corporation's obligation under this warranty shall be limited to replacing without charge any part found to be defective, materials only for a period of one (1) year after date of shipment from the factory. This warranty does not cover any defect due to or resulting from mishandling, abuse, misuse or hard chemical action, flood, fire or any other act of God or modification by others. This warranty shall not cover, under any circumstances for consequential or incidental damages of any kind. Adjustments to the control devices of the product are the responsibility of qualified personnel of the purchaser, not that of the manufacturer. No other verbal or implied warranty from the manufacture shall be applied.

## PRECAUTIONS ON RICE STOVE

1. Installation of this appliance must conform with local codes or in the absence of local codes, with the National Fuel Gas Code, ANSI Z83.11 - CSA 1.8 (Latest edition). The installation of this appliance should be done only by qualified personnel.
2. The main gas supply line and gas pressure regulator to the equipment must be of adequate size and capacity and installed according to good engineering practices.
3. This appliance must be installed under a ventilation hood. Refer to the local codes for the proper sizing and installation of ventilation hoods as well as an adequate fresh air supply. In the absence of local codes, refer to the National Ventilation Code entitled, "Standard for the Installation of Equipment for the Removal of Smoke and Grease Laden Vapors for Commercial Cooking Equipment", NFPA-96 (Latest edition).
4. This appliance must be installed on a counter top with minimum clearances from combustible and non-combustible construction of at least six (6) inches from sides and six (6) inches from the rear of this appliance.
5. Keep all combustible materials, such as wood, compressed paper, plant fibers, as well as flammable solvents and liquids free and clear of this appliance.
6. The vicinity of this appliance must be kept sufficiently clear to avoid restricting the air supply for combustion. Provisions must be taken for an adequate and continuous flow of combustion and ventilation air, and should not attempt to block this air supply off.
7. Adequate clearances must be provided around the combustion air openings into the combustion chamber around the front and sides of this appliance.
8. Sufficient space must be provided at the front of this appliance for easy access for servicing and the safe operation of the appliance.

## INSTALLATION INSTRUCTIONS

THE INSTALLATION INSTRUCTIONS CONTAINED HEREIN ARE FOR THE USE BY QUALIFIED INSTALLATION AND SERVICE PERSONNEL ONLY. INSTALLATION OR SERVICE BY OTHER THAN QUALIFIED PERSONNEL MAY RESULT IN DAMAGE TO THE WOK AND/OR INJURY TO THE OPERATOR.

Follow these instructions carefully as outlined below will achieve the desired performance of the high quality Range King Rice Stove. Read this manual completely before installation.

1. Delivery & Inspection
2. Win Depot, LLC. manufactures the Win Series Rice Stove (called Rice Stove in this manual) with high quality materials and workmanship.
3. Upon delivery of your Rice Stove: Inspect the shipping container or conditions of its crating for external damage. Any evidence of damage should be noted on the delivery receipt that must be signed by the driver. Claims for concealed damage require notification to the shipping company within 15 days of delivery and you must keep the packing materials and container for inspection. Win Depot, LLC. cannot assure liability for loss or damage suffered in transit. The carrier assumes full responsibility for delivery in good order when the appliance was accepted.
4. Place the crated stove in the appropriate location and uncrate the unit. Remove the pressure regulator from carton.
5. This appliance must be installed on a counter top with clearances from combustible and non-combustible construction of at least 6" from the sides and 6" from the rear.
6. Carefully lift the unit and place in its final location. Adjust the legs to level the appliance.
7. Remove tie wires and any other packing material from the unit.
8. Turn all gas valves to "OFF" position.

9. Check air mixer alignment to gas burner nipple and tighten screw, if required.
10. Install the appliance gas pressure regulator provided with the stove at the end of the open manifold and install a manual shutoff valve upstream of this regulator. This shutoff valve must be in an accessible location. Connect the gas supply line to the shutoff valve. Refer to the local gas codes, or in the absence of local codes, to the National Fuel Gas Code as outlined in the precautions' page of this manual for proper gas installation to the appliance.

## **INITIAL STARTING INSTRUCTIONS**

Make sure you have followed the installation steps and are prepared to have initial starting.

Lighting and shut down instructions:

1. Turn all gas valves "OFF" and wait 5 minutes.
2. Turn pilot light valve on the left to the "ON" position and light pilot. Be sure the pilot is lit.
3. Turn left hand burner valve to full "ON" position and make sure the main burner inner ring ignites.
4. Turn right hand burner valve to full "ON" position and make sure the main burner inner ring ignites National Fuel Gas Code as outlined in
5. Turn both right and left hand main burner valves to "OFF" position when the range is not in use.
6. For a complete shutdown of the appliance turn the pilot adjustment valve to the "OFF" also.

## **CLEAN & PREVENTATIVE MAINTENANCE**

Clean you Range King Rice Stove daily after use with a brush using a solution of grease dissolve (Formula 409, or spray Degreaser by Pittsburgh Chemical), rinsing with hot water.

Should maintenance or repairs be required, they should be performed by a qualified service company. In case of question, contact Win Depot LLC.

Due to continuous development of technology and availability of materials and components, Win Depot LLC. may use equal or better materials and components in their equipment. Refer to instruction manual from manufacturer of components for more information.